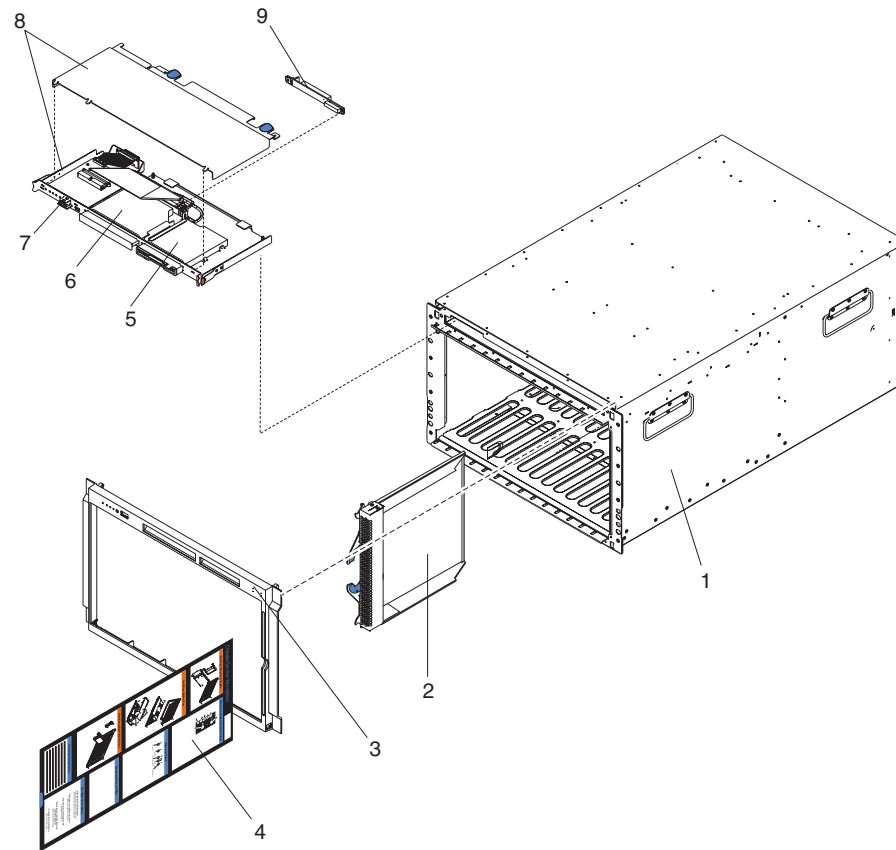


## Chapter 7. Parts listing, BladeCenter Type 8677

This parts listing supports the xSeries®Type 8677. To check for an updated parts listing on the Web, complete the following steps:

1. Go to <http://www.ibm.com/support/>
2. Under **Search technical support**, type 8677 and click **Search**.
3. Under Document type, select **Parts information** and click **Go**.

### Front view

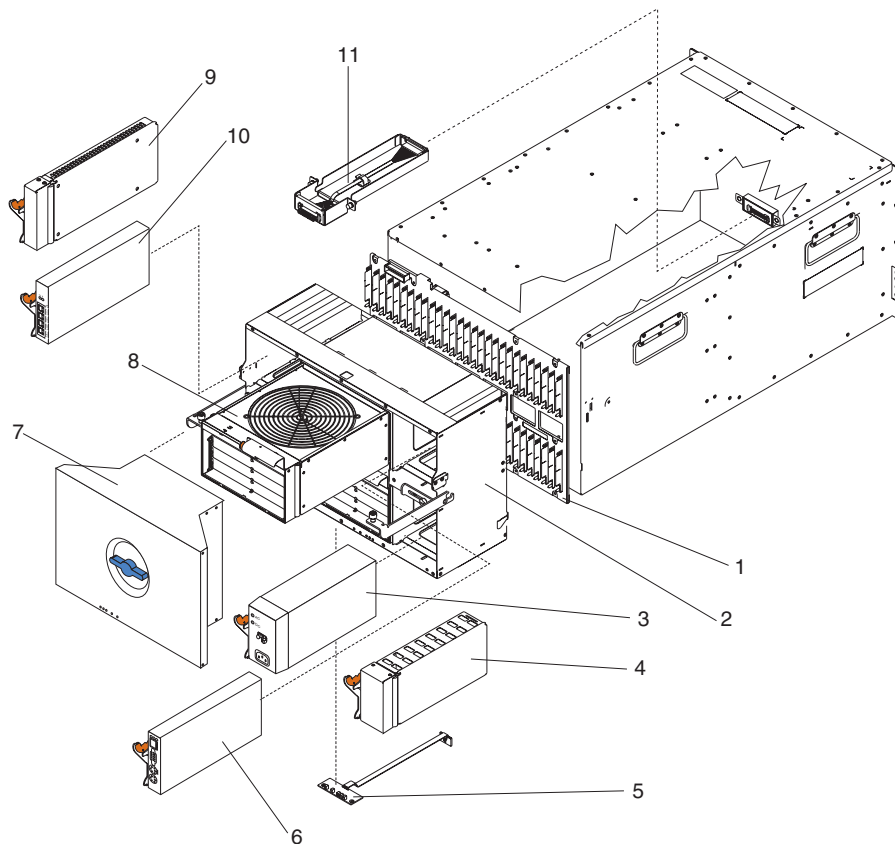


**Note:** Field replaceable units (FRUs) should be serviced only by qualified field service technicians. Customer replaceable units can be replaced by the customer.

Index	System (BladeCenter Type 8677)	FRU No.	CRU/FRU
1	Chassis assembly (all models except 3Rx)	90P4721	FRU
1	Chassis assembly (models 3Rx, 3Sx, 4Sx)	25R8172	FRU
2	Filler blade (all models except 3Rx)	49P2517	CRU
2	Filler blade (all models)	39M3317	CRU
2	Filler blade (model 3Rx)	39M3264	CRU
3	Bezel assembly (all models except 3Rx)	49P2521	CRU
3	Bezel assembly (all models except 3Sx, 4Sx)	39M3200	CRU
3	Front Bezel (models 3Sx, 4Sx)	46C5450	CRU
4	BladeCenter system service label (all models except 3Rx, 3Sx, 4Sx)	26K9419	CRU
4	BladeCenter system service label (model 3Rx)	39M3313	CRU
4	BladeCenter system service label (models 3Sx, 4Sx)	46C5451	CRU

Index	System (BladeCenter Type 8677)	FRU No.	CRU/FRU
5	Diskette drive, USB (primary) (all models except 3Sx, 4Sx)	39M0109	CRU
5	Diskette drive, USB (alternate) (all models except 3Rx, 3Sx, 4Sx)	33P3323	CRU
6	CD-ROM, 24X (primary) (all models except 3Sx, 4Sx)	39M3505	CRU
6	CD-ROM, 24X (alternate) (all models except 3Sx, 4Sx)	26K5423	CRU
6	CD-ROM, 24X (alternate) (all models except 3Sx, 4Sx)	06P5263	CRU
6	CD-ROM, 24X (alternate) (all models except 3Sx, 4Sx)	26K5423	CRU
6	DVD-ROM, 8X (primary) (models 3Xx, 3Rx)	39M3531	CRU
6	DVD-ROM, 8X (alternate) (models 3Xx, 3Rx)	26K5393	CRU
6	DVD-ROM, 8X (model 3Xx)	24P3639	CRU
6	UltraSlim Enhanced SATA DVD-ROM (models 3Sx, 4Sx only)	44W3254	CRU
6	UltraSlim Enhanced SATA Multi-Burner (models 3Sx, 4Sx only)	44W3256	CRU
6	Optical Blank filler (models 3Sx, 4Sx only)	43X0458	CRU
7	Customer interface card (all models except 3Rx)	90P4703	FRU
7	Customer interface card (model 3Rx)	26R0368	FRU
8	Media tray (all models except 3Rx, 3Sx, 4Sx)	49P2522	FRU
8	Media tray (model 3Rx)	39M3207	FRU
8	Media tray (models 3Sx, 4Sx)	46C5447	FRU
9	CD-ROM Interposer card (all models except 3Rx, 3Sx, 4Sx)	39R8542	CRU

## Rear view



Index	System (BladeCenter Type 8677)	FRU No.	CRU/FRU
1	Midplane card (all models except 3Rx, 3Sx, 4Sx)	26K9450	FRU
1	Midplane card (models 3Sx, 4Sx)	46M0540	FRU
1	Midplane card (model 3Rx)	39R8563	FRU

Index	System (BladeCenter Type 8677)	FRU No.	CRU/FRU
2	SPC chassis (all models except 3Rx, 3Sx, 4Sx)	49P2530	FRU
2	SPC chassis (model 3Rx)	39M3223	FRU
2	SPC chassis (models 3Sx, 4Sx)	46C5453	FRU
3	Power supply module, 1400 watt (model 1Xx)	73P7501	CRU
3	Power supply module, 1800 watt (models 2Xx, CXx)	74P4401	CRU
3	Power supply module, 2000 watt (models 3Rx, 3Sx, 3Xx)	39Y7360	CRU
3	Power supply module, 2320W watt (model 4Sx)	39Y7400	CRU
4	Power supply filler (models 1Xx, 2Xx)	49P2519	CRU
4	Power supply filler (models 3Rx1, 3Sx, 4Sx)	39M3262	CRU
4	Power Supply Filler (all models)	46C5470.	CRU
5	Rear interface card (all models except 3Rx)	59P6602	FRU
5	Rear interface card (model 3Rx)	26R0361	FRU
5	Rear interface card (models 3Sx, 4Sx)	26R0368	FRU
6	Management module (model 3Rx)	39M4945	CRU
6	Advanced management module 2 (models 3Sx, 4Sx)	39Y9661	CRU
7	Acoustic attenuation module (optional) (all models)	39M3330	CRU
8	Blower (models 3Rx, 3Sx, 4Sx)	39M3225	CRU
9	Filler module (models 1Xx, 2Xx)	49P2518	CRU
9	Filler module (model 3Rx, 3Sx, 4Sx)	39M3261	CRU
9	Filler, module (all models)	25R9934	CRU
11	Media cable with bracket (model 1Xx)	74P5224	FRU
11	Media cable with bracket (model 3Rx)	39M3222	FRU
11	Media cable with bracket (models 3Sx, 4Sx)	46C5452	FRU
	Adapter (optional) (all models)	32R1845	CRU
	Cable, copper (optional) all models)	32R1848	CRU
	Cable, diskette drive to CI card (model 1Xx)	49P2526	CRU
	Cable, diskette drive to CI card (model 3Xx)	39M3220	CRU
	Cable, fibre channel (mode CXx)	02R9024	CRU
	Cable, Infiniband (optional) (all models)	26R0815	CRU
	Cable, Nortel (optional) (all models)	26K6541	CRU
	Cable, serial breakout (optional) (all models)	74P5186	CRU
	Clip, power cord (all models)	26K6038	CRU
	Connector, Nortel fibre channel (optional) (all models)	26R0808	CRU
	Damper (all models)	49P2532	CRU
	Ethernet dongle cable (optional) (all model)	02R9024	CRU
	Filler, front (optional) all models)	39M3317	CRU
	Insulator kit (optional) (all models)	39M6608	CRU
	IRCL module (all models)	73P9044	CRU
	Miscellaneous Parts Kit (all models)	49P2523	CRU
	<ul style="list-style-type: none"> <li>• CD-ROM spring retainer (1)</li> <li>• Diskette drive spring retainer (1)</li> <li>• Mounting hardware assembly (1)</li> <li>• Damper spring (4)</li> <li>• Screw, M3.5 slotted (8)</li> <li>• Label, customer write on (2)</li> </ul>		
	Miscellaneous Parts Kit (all models except 3Rx)	13N2659	CRU
	<ul style="list-style-type: none"> <li>• CD-ROM spring retainer (1)</li> <li>• Diskette drive spring retainer (1)</li> <li>• Mounting hardware assembly (1)</li> <li>• Upper damper (4)</li> <li>• Lower damper (4)</li> <li>• Screw, M3.5 slotted (8)</li> <li>• Label, customer write on (2)</li> </ul>		

Index	System (BladeCenter Type 8677)	FRU No.	CRU/FRU
	Miscellaneous Parts Kit (model 3RX)	26K9699	CRU
	<ul style="list-style-type: none"> <li>• Lower damper (4)</li> <li>• Upper damper (4)</li> <li>• Mounting hardware assembly (1)</li> <li>• CD spring (1)</li> <li>• Screw, M3.5 slotted (8)</li> <li>• Label, customer write on (2)</li> </ul>		
	Miscellaneous Parts Kit (model 3RX)	39M3217	CRU
	<ul style="list-style-type: none"> <li>• Diskette drive spring (1)</li> </ul>		
	Miscellaneous Parts Kit (models 3Sx, 4Sx)	46C5454	CRU
	<ul style="list-style-type: none"> <li>• Backflow Damper (1)</li> <li>• Lower Damper (4)</li> <li>• Upper Damper (4)</li> <li>• Mounting hardware assembly (1)</li> <li>• CD Spring (1)</li> <li>• Rear Combo Bay (1)</li> <li>• Combo (1)</li> <li>• Blower Damper (1)</li> <li>• Screw, M3.5 slotted (14)</li> </ul>		
	Module, 3+7 port (optional) (all models)	32R1820	CRU
	Module, 3+7 port (optional) (all models)	32R1821	CRU
	Module, 4GB fibre channel (optional) (all models)	32R1836	CRU
	Module, 4GB Qlogic (optional) (all models)	26R0888	CRU
	Module, CPM (optional) (all models)	73P6098	CRU
	Module, CPM (optional) (all models)	73P6099	CRU
	Module, fibre channel (model CXx)	59P6621	FRU
	Module, optical (optional) (all models)	02R9082	CRU
	Module, serial port (optional) (all models)	71P8600	CRU
	Power cord (primary) (models 2Xx, 3Xx)	39M5389	CRU
	Power cord (alternate) (models 2Xx, 3Xx)	00N7701	CRU
	PDU cord (model 1Xx)	36L8886	CRU
	PDU Cord (model CXx)	74P4430	CRU
	Power cable, interposer to CI card (model 1Xx)	49P2525	FRU
	Power cable, interposer to CI card (model 3Rx)	39M3219	FRU
	Rack Kit (all models except 3Rx)	90P4722	CRU
	<ul style="list-style-type: none"> <li>• Rail, left (1)</li> <li>• Rail, right (1)</li> <li>• Assembly mounting hardware (1)</li> </ul>		
	Rack Kit (model 3Rx)	39M3256	CRU
	<ul style="list-style-type: none"> <li>• Bracket, lower rack (1)</li> <li>• Bracket, rear chassis (1)</li> <li>• Rail, left (1)</li> <li>• Rail, right (1)</li> <li>• Upper shipping bracket (1)</li> <li>• Rail, rack mounting hardware (1)</li> </ul>		
	Rails, left and right (all models)	49P2610	CRU
	Signal cable, interposer to CI card (model 1Xx)	49P2524	CRU
	Signal cable, CI card to media (model 1Xx)	74P5227	FRU
	Signal cable, CI card to media (model 13x)	39M3221	FRU
	Signal cable, CI card interposer to chassis (model 3Rx)	39M3218	FRU
	Switch, 10 port 4GB McDATA (optional) (all models)	32R1911	CRU
	Switch, 10 port Qlogic (optional) (all models)	32R1910	CRU
	Switch, Brocade (optional) (all models)	90P0164	CRU
	Switch, CISCO Ethernet (optional) (all models)	13N2285	CRU

<b>Index</b>	<b>System (BladeCenter Type 8677)</b>	<b>FRU No.</b>	<b>CRU/FRU</b>
	Switch, CISCO Ethernet (optional) (all models)	25R5391	CRU
	Switch, Ethernet module (optional) (all models)	26K6482	CRU
	Switch, Infiniband (optional) (all models)	26K6452	CRU
	Switch, McDATA fibre channel (optional) (all models)	32R1792	CRU
	Switch, Nortel ESM (optional) (all models)	26K6526	CRU
	Switch, Nortel fibre channel (optional) (all models)	26K6529	CRU
	Switch, port, Nortel (optional) (all models)	39Y9131	CRU
	Switch, Qlogic 6 port (optional) (all models)	26K6481	CRU